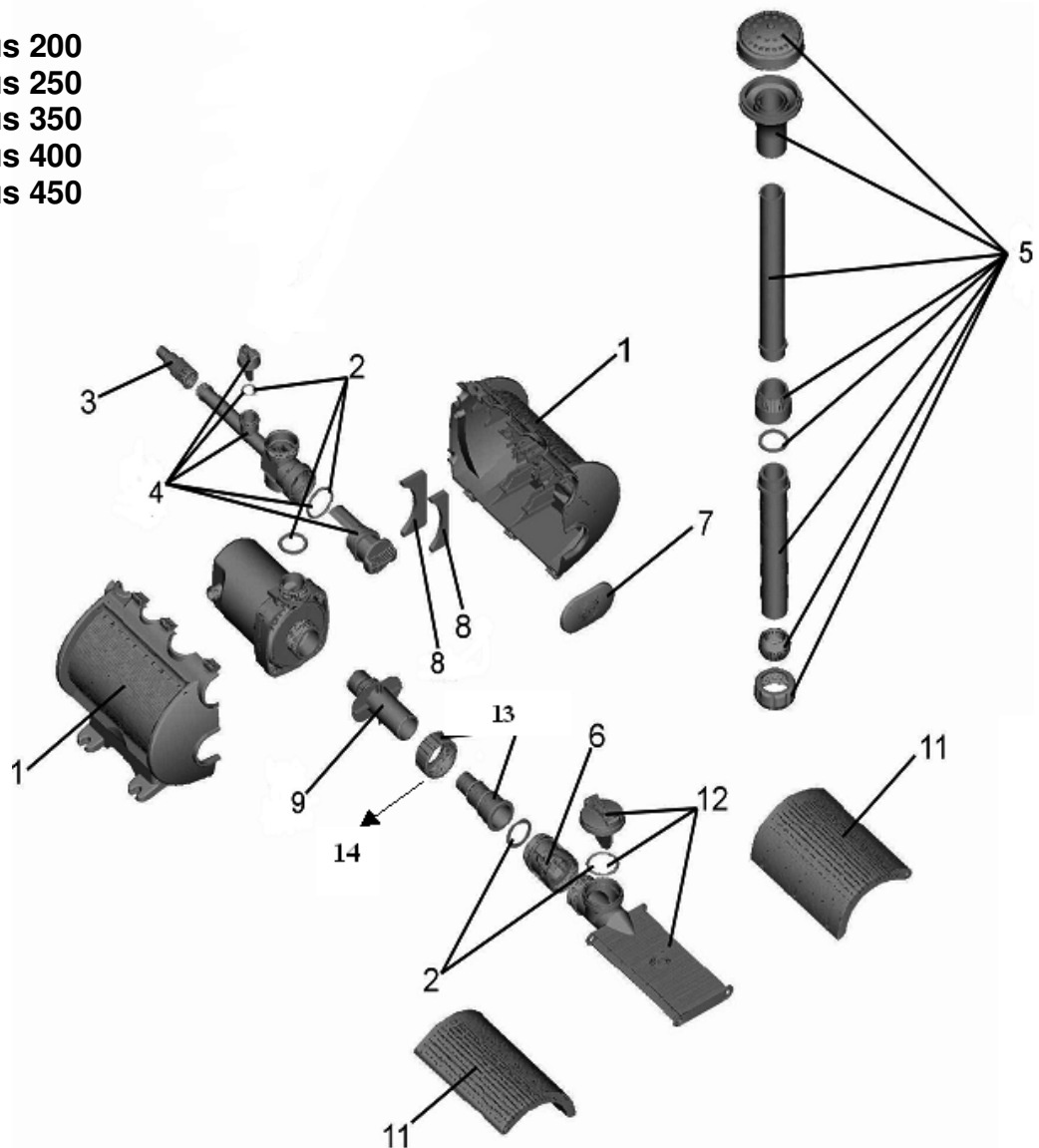


Ersatzteilliste 2009 Spare part list 2009



56315 Nautilus 200
56319 Nautilus 250
56323 Nautilus 350
56327 Nautilus 400
56332 Nautilus 450



| Pos. Nr | Nautilus 200 | Nautilus 250 | Nautilus 350 | Nautilus 400 | Nautilus 450 | Ersatzteil-bezeichnung | Spare part description |
|---------|--------------|--------------|--------------|--------------|--------------|------------------------|------------------------|
| 1 | 34805 | 34805 | 34805 | 34805 | 34805 | Filtergehäuse | filterhousing |
| 2 | 34804 | 34804 | 34804 | 34804 | 34804 | Dichtungs - Set | gasket kit |
| 3 | 23641 | 23641 | 23641 | 23641 | 23641 | Stufentülle, | hose tail 1/2" |
| 4 | 25206 | 25206 | 25207 | 25207 | 25207 | Wasserverteiler | water distributor |
| 5 | 34808 | 34808 | 34806 | 34806 | 34806 | Düsenset . | nozzle set |
| 6 | 25323 | 25323 | 25323 | 25323 | 25323 | Feinfiltersieb | strainer tube " |
| 7 | 34620 | 34620 | 34620 | 34620 | 34620 | Abdeckung | inlet cover |
| 8 | 25450 | 25450 | 25451 | 25451 | 25451 | Gummi - Puffer | rubber pad |
| 9 | 34621 | 34621 | 34651 | 34651 | 34651 | Ansaugrohr | suction pipe |
| 11 | 27285 | 27285 | 27285 | 27285 | 27285 | Filter - Flügel | filter housing |
| 12 | 34807 | 34807 | 34807 | 34807 | 34807 | Adapter kpl. | filteradapter |
| 13 | 25218 | 25218 | 25218 | 25218 | 25218 | Schlauchtülle | hose tail 1 1/2 " |
| 14 | 34737 | 34737 | 34737 | 34737 | 34737 | Überwurfmutter | coupling nut |